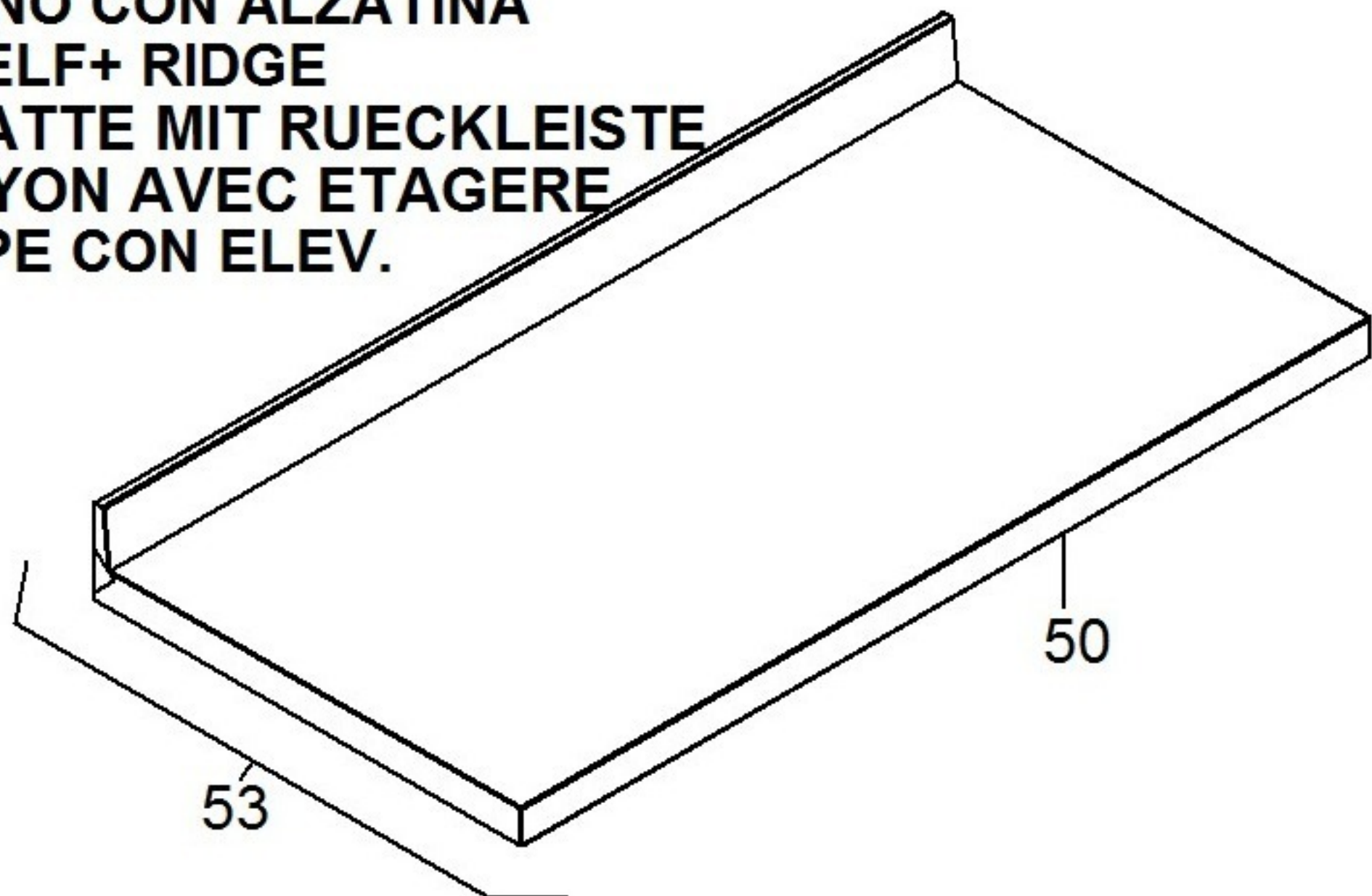
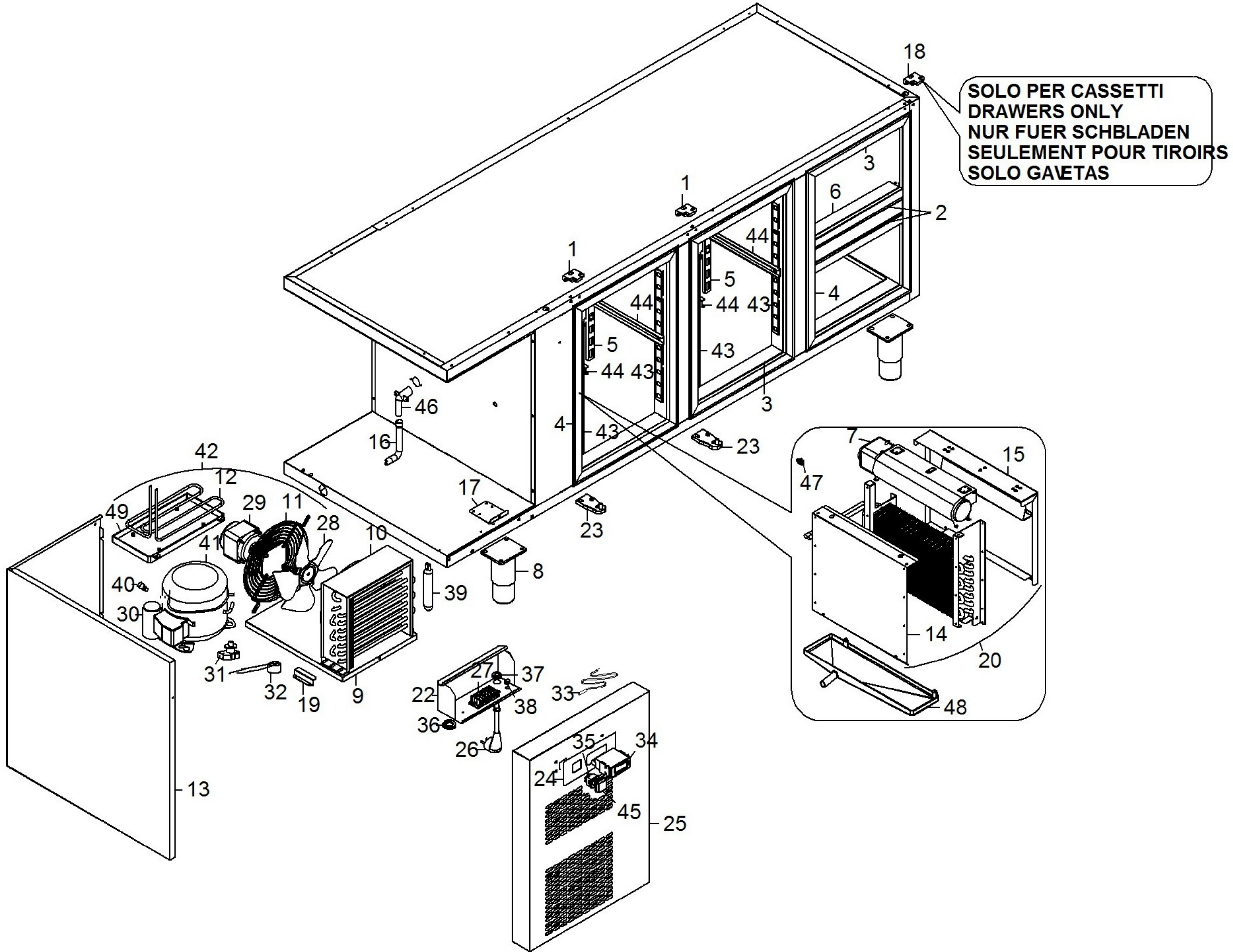
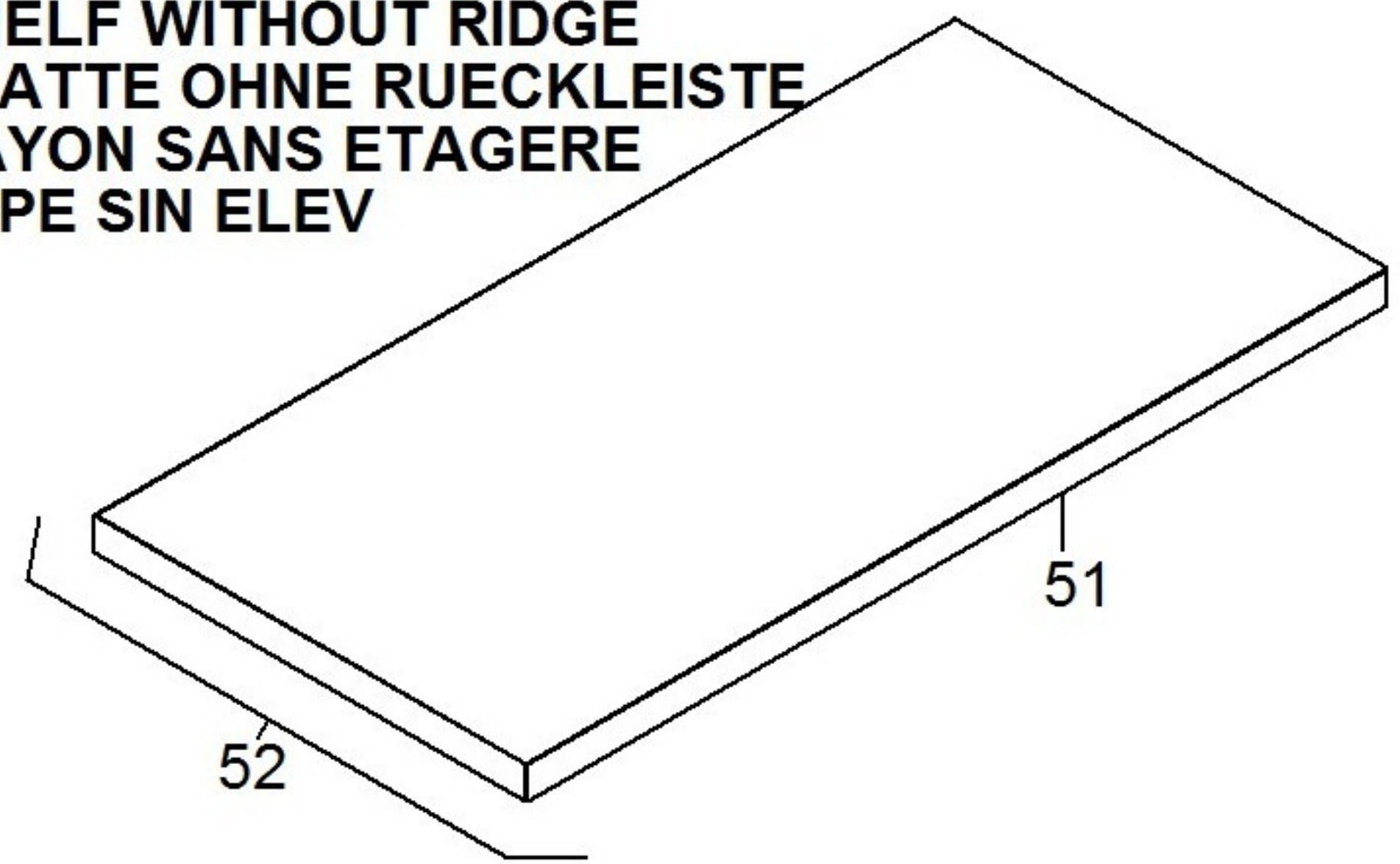


**/A=PIANO CON ALZATINA**  
**/A=SHELF+ RIDGE**  
**/A=PLATTE MIT RUECKLEISTE**  
**/A=RAYON AVEC ETAGERE**  
**/A=TOPE CON ELEV.**



**/M=PIANO SENZA ALZATINA**  
**/M=SHELF WITHOUT RIDGE**  
**/M=PLATTE OHNE RUECKLEISTE**  
**/M=RAYON SANS ETAGERE**  
**/M=TOPE SIN ELEV**





		<b>Modello</b>	<b>Typ</b>	<b>Model</b>	<b>Modele</b>	<b>Modelo</b>			
		5VA 5VAA 5VAM	5VA2 5VA2A 5VA2M	5VB 5VBA 5VBM	5VB2 5VB2A 5VB2M	5VB4 5VB4A 5VB4M	5VC 5VCA 5VCM	5VC2 5VC2A 5VC2M	5VC4 5VC4A 5VC4M
Num.cassetti Schubläd Drawers Tiroirs Gabetas	1/2SUP	-	1	-	1	2	-	1	2
	1/2INF	-	1	-	1	2	-	1	2
Porte Türen Doors Portes Puertas		2	1	3	2	1	4	3	2

